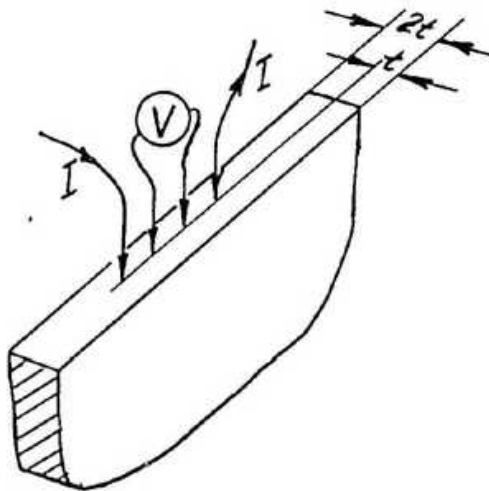


E. SEMI-INFINITE PLANE SAMPLE OF FINITE THICKNESS.E.1) Probe Array on the Edge.

In example 2, section A.3, we showed that this configuration has the same geometric factor as has an infinite slice of thickness  $t$ , which is treated in section D.1 (thick sample) and section D.2 (thin sample).